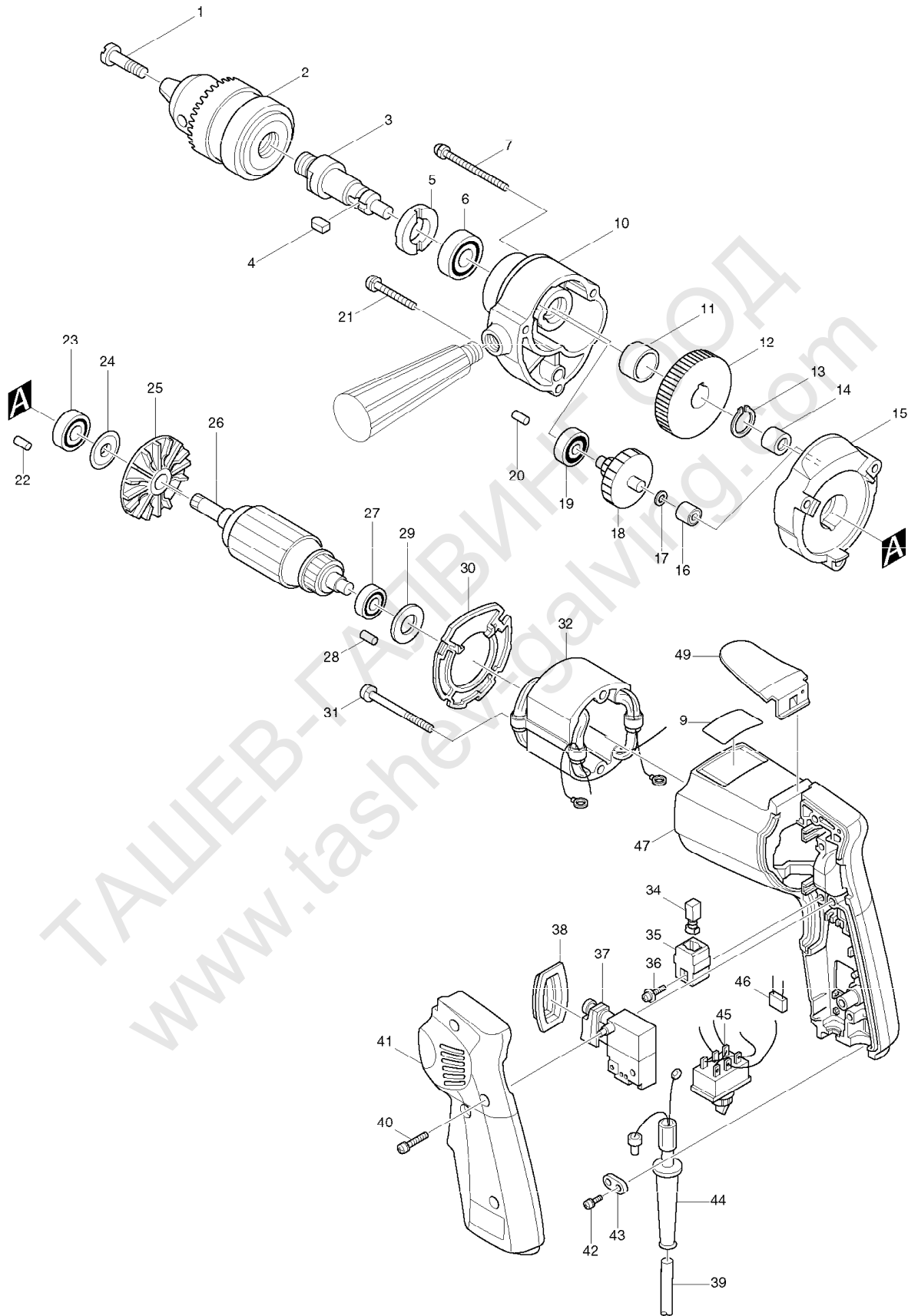


# SERVICE DRAWING

MODEL NO. DP4700



# SPARE PARTS LIST

MODEL NO. DP4700

ITEM	PART NO.	DESCRIPTION	QTY	NOTE
001	251425-3	- FLAT HEAD SCREW M6X22	1	
002	192892-2	KEYLESS DRILL CHUCK	1	
003	321082-2	SPINDLE	1	
004	254211-1	KEY 5	1	
005	285807-7	BEARING RETAINER 22-36	1	
006	211206-7	BALL BEARING 6202LLB	1	
007	911288-6	PAN HEAD SCREW M5x65	2	
009	815208-1	NAME PLATE DP4700	1	
010	*****	*****	***	*****
011	257018-4	RING 15	1	
012	221261-1	SPUR GEAR 47	1	
013	961054-1	RETAINING RING S-14	1	
014	212004-2	NEEDLE BEARING 810	1	
015	*****	*****	***	*****
016	212012-3	NEEDLE BEARING 609	1	
017	253715-0	FLAT WASHER 6	1	
018	226044-4	GEAR COMPLETE 7-46	1	
019	*****	*****	***	*****
020	263002-9	RUBBER PIN 4	1	
021	911273-9	PAN HEAD SCREW M5x50	1	
022	263002-9	RUBBER PIN 4	1	
023	211033-2	BALL BEARING 608LB	1	
024	213002-9	DUST SEAL 8	1	
025	241811-6	FAN 54	1	
026	518139-0	ARMATURE ASS'Y 220V INC. 23-27	1	
027	211028-5	BALL BEARING 627LB	1	
028	263002-9	RUBBER PIN 4	1	
029	253192-6	FLAT WASHER 14	1	
030	411528-7	BAFFLE PLATE	1	
031	911185-6	PAN HEAD SCREW M4x55 new	2	
032	628171-7	FIELD 220V	1	
034	191627-8	CARBON BRUSH CB-64	1	
035	643552-4	BRUSH HOLDER 5-8	2	
036	911124-6	PAN HEAD SCREW M4X14	2	
037	*****	*****	***	*****
038	411852-8	SWITCH COVER	1	
039	666066-6	POWER SUPPLY CORD 1.0-2-2.5	1	
040	911153-9	PAN HEAD SCREW M4x28	3	
041	*****	*****	***	*****
042	911133-5	PAN HEAD SCREW M4X18	2	
043	687001-1	STRAIN RELIEF	1	
044	682502-4	CORD GUARD 8-85	1	
045	651478-6	SWITCH VTX11	1	
046	645253-0	NOISE SUPPRESSOR	1	
047	*****	*****	***	*****
049	343693-3	HOOK	1	
400	*****	*****	***	*****